

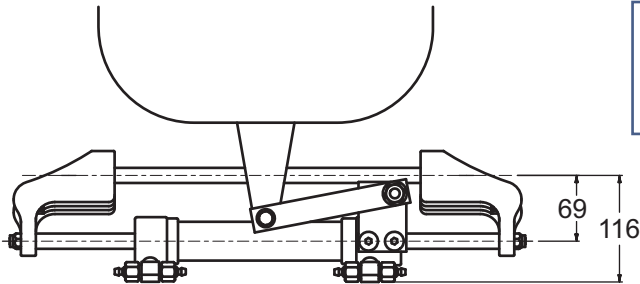
# HYDRAULIC STEERING FOR OUTBOARD MOTORS



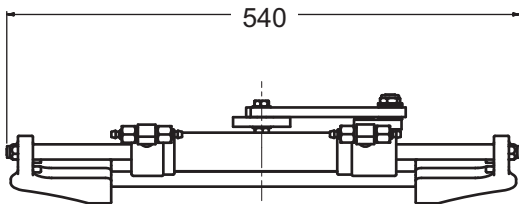
Cylinder construction  
Bronze, Brass and Stainless steel

## OBKIT1

For Outboards up to single 300HP or dual outboards  
Counter-rotating up to 600HP total

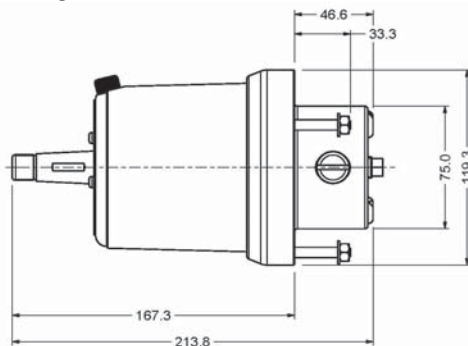
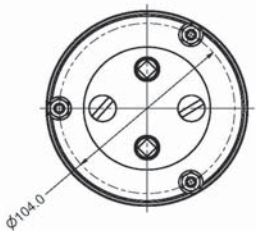


WHEEL TURNS  
lock to lock  
401 helm = 5.5  
402 helm = 4.4



Model 211BH Cylinder dimensions

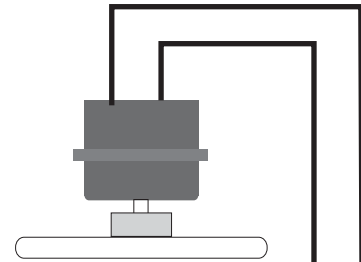
Capacity:- 154cc  
Stroke:- 203mm  
Weight:- 5Kg



Model 401 and 402 Helm pump dimensions

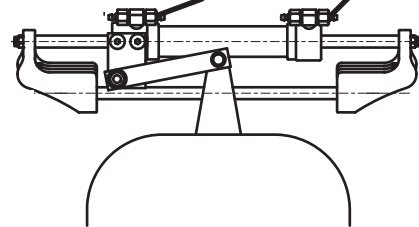
Model 401 Capacity:-28cc/rev  
Model 402 Capacity:-35cc/rev  
In-built Lock valve  
Maximum working pressure:- 1000psi  
Absolute maximum pressure:- 1500psi  
Weight:- 5Kg

See also optional helm choices for front-mount  
and tilting helms for this kit



## OBKIT1

Complete Kit comprises:-  
Model 401 Helm  
Model 211BH cylinder  
2 litres ULTRA-15 fluid  
15Mtrs 3/8" OD Nylon tubing  
Bleeding Kit  
All fittings  
Installation Manual  
Packed weight 15Kg



SIMPLE INSTALLATION TO ANY OUTBOARD\*\*  
See steering circuits for multiple outboards and  
catamaran installation options.

\*\*For some model Honda and other 4-strokes the  
211BH-Honda version is required to avoid interference  
on motor cowling.